

1/2" Bleed

11/16" Hidden

# Snapgraphic Gripper

**Document Size: Finished Size + 1/2" bleed on each of 4 sides @100 DPI recommended**

Applicable for:

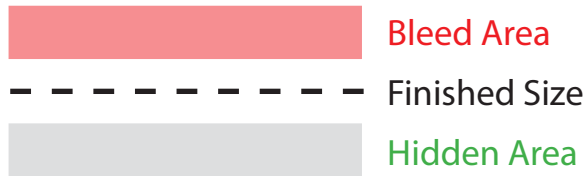
**Model #: Finished Size**

**SN11 to SN19: } W=18" to 96" W x H**  
**SN21 to SN29: }**

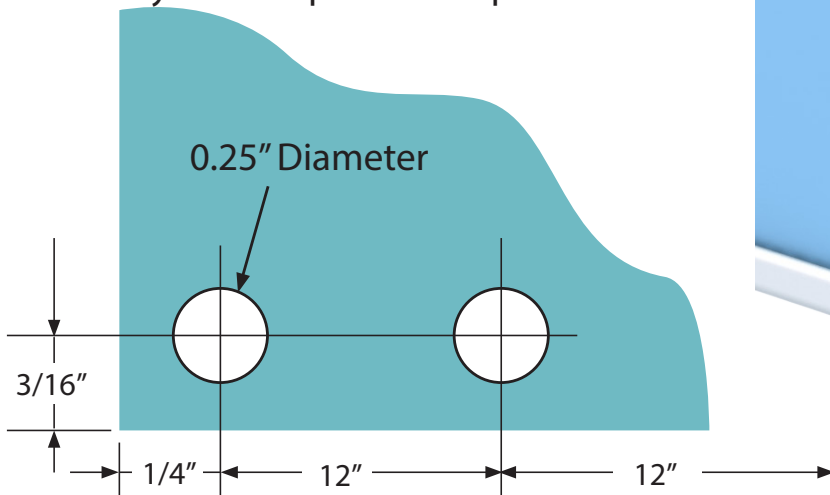
**H = Customer specified Graphic Height**

### File Specs:

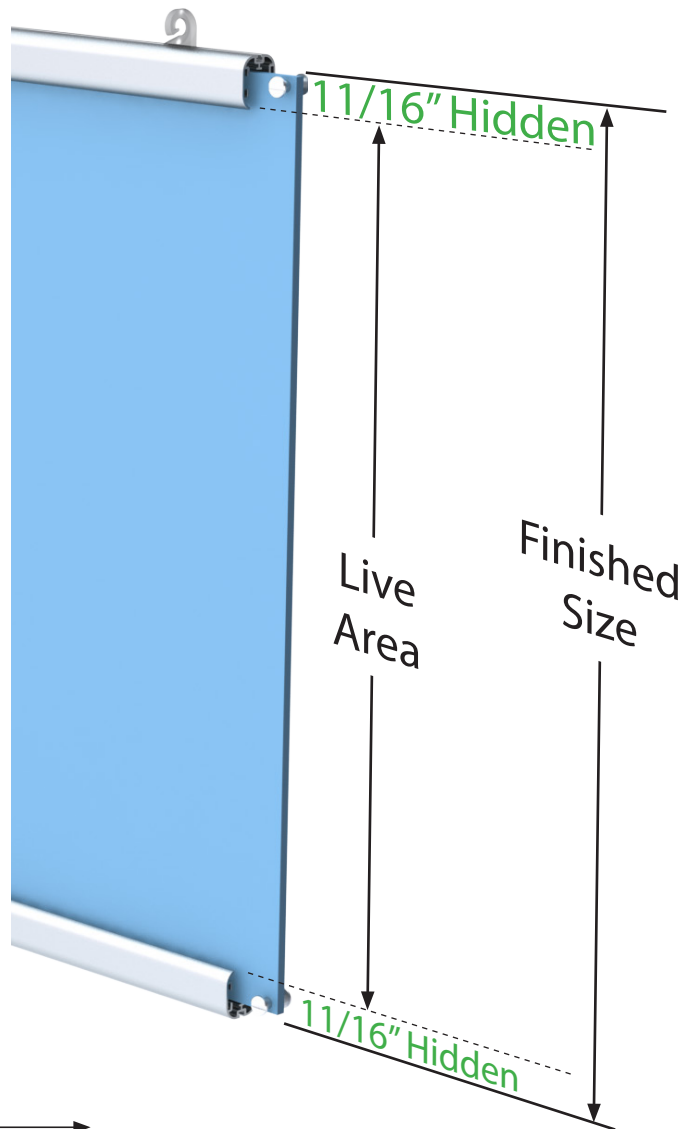
- CMYK
- 100 DPI @ Final Size
- Convert all fonts to outlines
- Provide all linked files
- Provide any critical PMS colors
- 1/2" Bleed on each of 4 sides
- Extend background to full bleed



### Styrene Graphic Hole Spec.



(NOT TO SCALE)



1/2" Bleed

1/2" Bleed

11/16" Hidden

1/2" Bleed